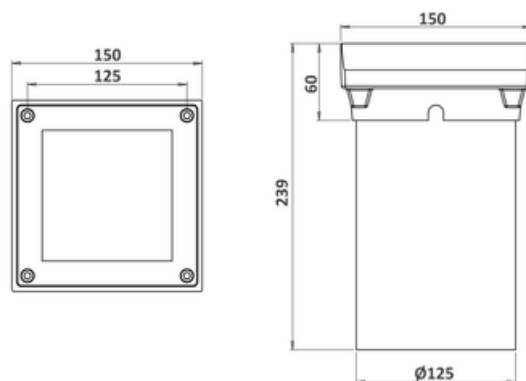


2852M PYRAMIDE

CARACTERISTICS

- Colourless anodised machined aluminium body
- Vandalproof organic glass window
- 316L Stainless steel screws
- Flush-recessed
- 2 possible recess dimensions
- RGB options available



Number of LEDs	48
Type of LEDs	120° SMD LEDs (S)

Select your specific requirements with our product configurator, by filtering technical criteria at the following link:

<http://www.lec-lyon.com/2852mz-pyramide-r2441>

APPLICATION

- Marker-lighting

MOUNTING TYPE

- Ground flush recessed fittings
- Ground recessed fittings

CARACTERISTICS

- Weight : 1000 g

Options of luminous effects

- Non adjustable
- Inclined beam
- Transparent flat window
- Colour control system (optional)

Power supply - Control

- Cable length: 1 m

Material

- Marine anodised cast aluminium
- Vandalism-proof, scratch-proof, UV-proof, polycarbonate window, M2

Mechanical strength - Waterproofness

- Withstands random all vehicles traffic
- IK10** Resists impacts up to 60 joules (IK10)
- 60J**
- IP68** Tight for extended immersion