

CHRISTIE

Modular Series Double Barbecue

Our patented, flat-packed Modular Series barbecues set the standard for pre-fabricated public barbecue surrounds. They are versatile, compact, easy to assemble, and very tough - to withstand continued use in the most demanding locations and harshest environments.

KEY FEATURES:

- Award winning, High-efficiency CC2 cooktop with mono-pressed, stainless steel hotplate
- Hygienic stainless-steel benchtop with low-impact corner inserts for added safety
- Heavy duty stainless steel frame, high impact compressed fiber cement (CFC) panels, and powder coated stainless steel panels for versatility and ultimate durability
- Mix and match panel colours, extra modules, cooktops and sinks for your ideal configuration
- Select additional access doors to create an extra storage facility
- Shipped flat-packed for easy site access and reduced freight costs
- Fast, simple assembly by any competent person
- Spacious cabinet allows for LPG (bottled) gas storage



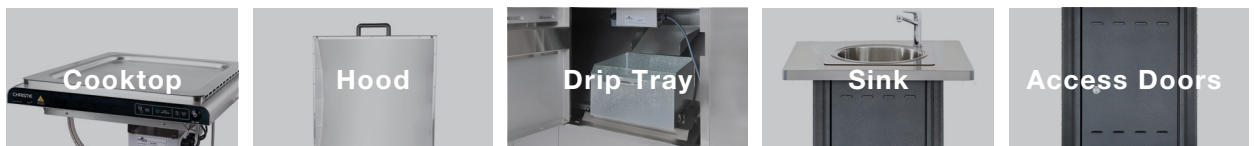
Modular barbecue frames and doors come powder coated in Aztec Silver as standard for maximum durability, with other colours available at additional cost.

Panels are available in a range of standard colours. Custom panel colours may occur additional cost.

STANDARD COLOUR OPTIONS:

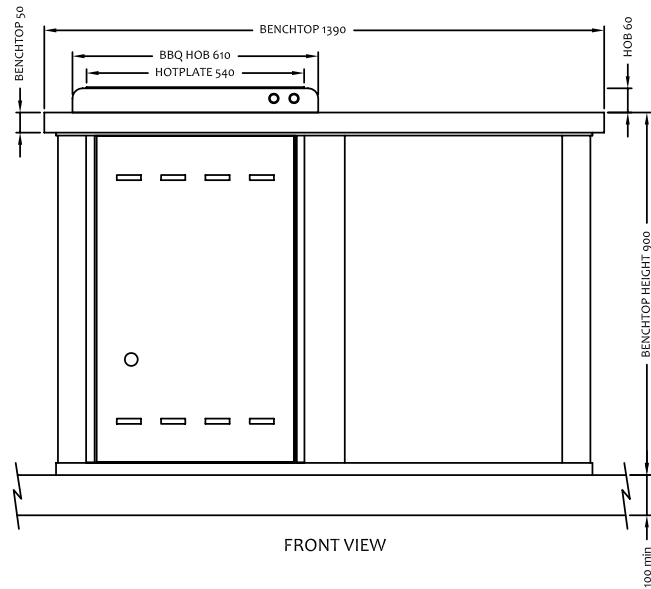
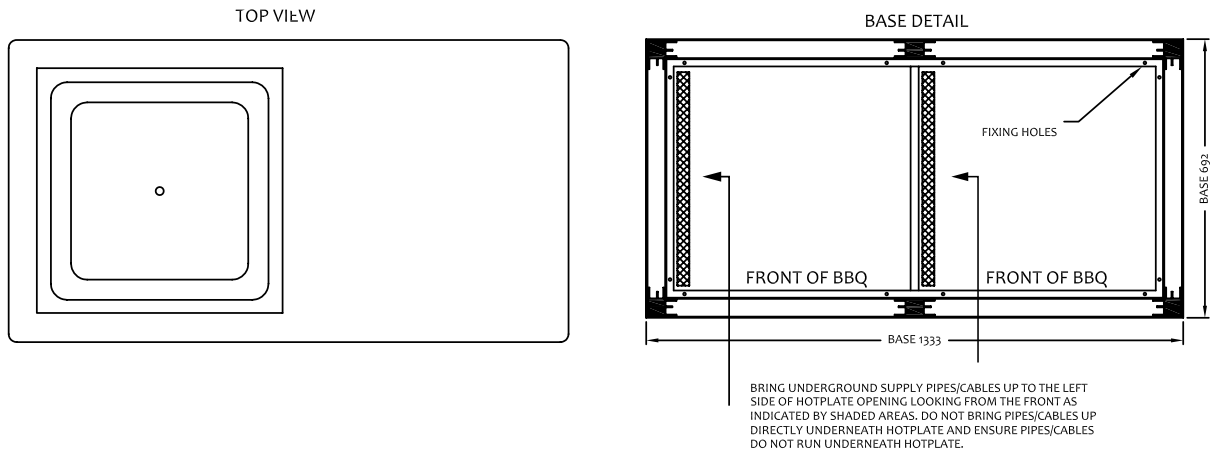


OPTIONS:

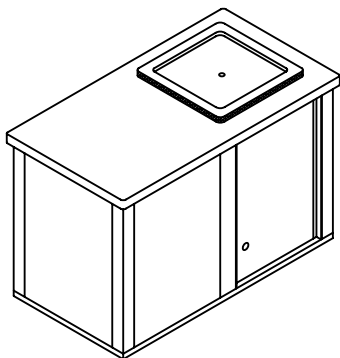


Christie Modular Series Double Barbecue

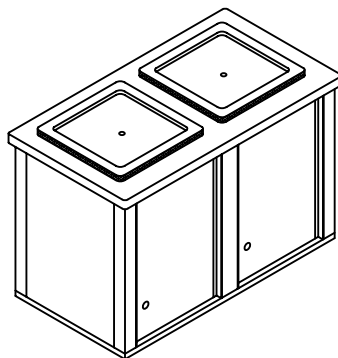
DIMENSIONS:



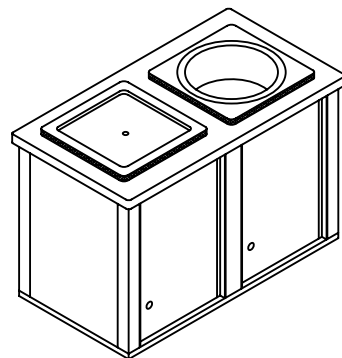
CONFIGURATIONS:



MOD-E-2.1 (Electric)
MOD-G-2.1 (Gas)



MOD-E-2.2 (Electric)
MOD-G-2.2 (Gas)



MOD-E-2.2:sink (Electric)
MOD-G-2.2:sink (Gas)