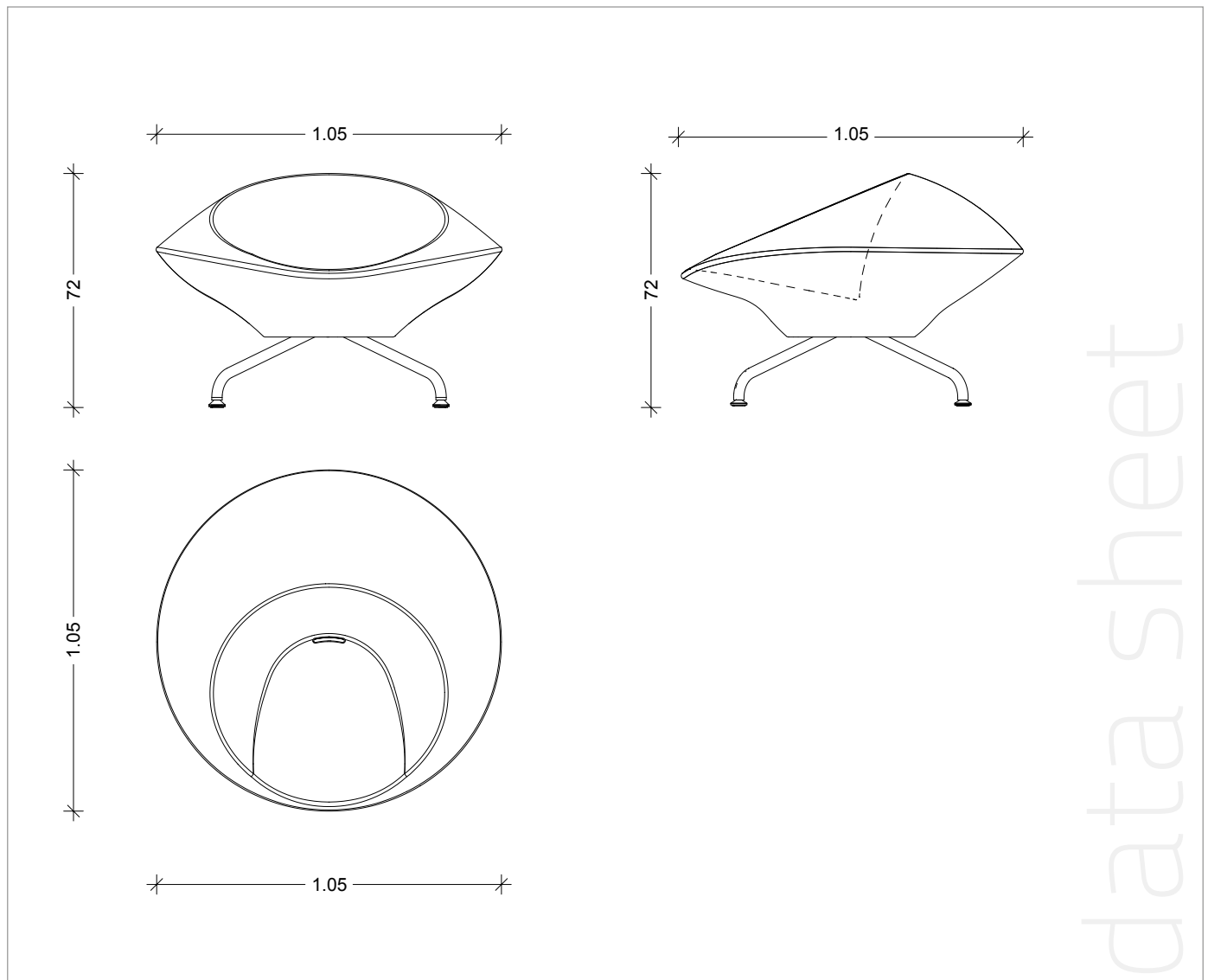


Kirk

Design: Rene Holten

Kirk is a chair of high-quality glass fibre concrete in smooth finish with filigree legs of seamless tube steel.



data sheet

Technical data

Length:	1,05 m
Width:	1,05 m
Height:	0,72 m
Seat height:	0,43 m
Weight:	120 kg
Thickness:	approx. 30 mm

Surfaces & colours

Nature Look	concrete grey
Nature Look	dark grey
Nature Look	cream white
Nature Look	anthracite
Smooth Look	acc. to RAL shade

Arrangements from the customer

The element shall be put onto a compression-proof base.